



RAILSPREADER

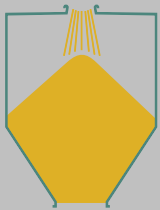
BY PNEUMAT



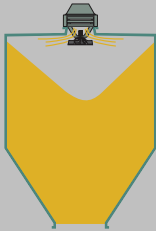
Load more easier.

During loadout operation

WITHOUT RAILSPREADER

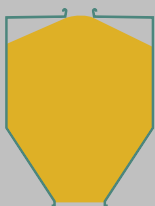


WITH RAILSPREADER

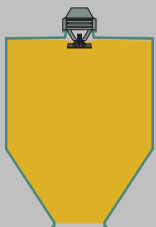


After loadout operation

WITHOUT RAILSPREADER



WITH RAILSPREADER



Save Money. Save Employees.

Loading rail cars with DDGs can be messy. You have to worry about fill rates, capacity problems, topping, cleaning and environmental concerns. At the end of the day plants are filled with debris, shovel crews quit, and rail cars are shipping out at 90% capacity. Our fully contained RailSpreader system eliminates all of these problems. And it's saved many of our clients hundreds of dollars per car.

Fast ROI:

- Increases loaded weights.
- Eliminates need for topping off.
- Reduces overall load-out time by minimizing clean-up.
- Adaptable and customized fit to your current load-out equipment.
- Reduces dust when coupled with dust collection
- Eliminates the need for shoveling, so you don't have to deal with labor turnover.
- You don't have to worry about environmental restrictions.



PNEUMAT
SYSTEMS INC.



MEET YOUR WEIGHTS - With less turn-over

under single **conveyor**



under lowering **conveyor**



under **multiple drops**



Advantages and Benefits

- Maximizes the load to improve profitability.
- Eliminates the need for manual labor inside the car. The load spreads evenly as it flows, so there is no second step — no shoveling to eliminate a center pyramid.
- Safer, faster, and easier than any other loading strategy.
- Incorporates effective dust-control access points, remediating the dust issue almost completely when linked with a dust collection system.



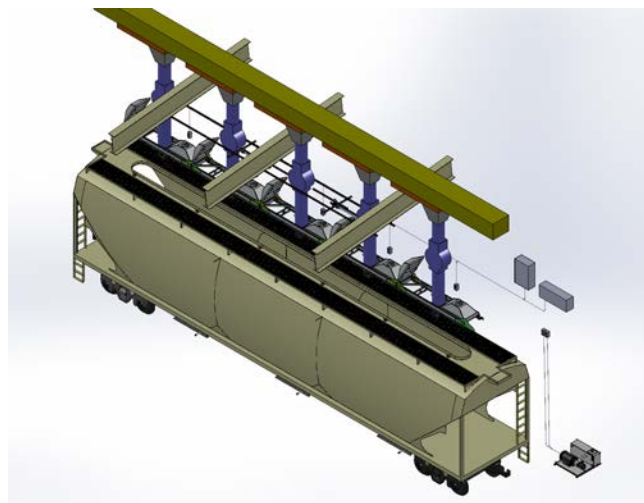
Features

- Hydraulic operation for power, reliability and smoothness
- Explosion proof motors, controls, switches, and other electrical components
- Operation can be managed by programming its functions into existing PLC controllers for a fully automated system
- Adaptable to many existing load-out configurations
- Can be configured to work with 5- or 6-chute drops, or with articulated loading arms commonly used with DDGs and other lightweight bulk materials as well integrated into retractable drag and screw conveyors



Pneumat Systems, Inc.
110 Mohr Drive
Mankato, Minnesota 56001 USA
1.800.458.9446 | 507.345.4553
FX: 507.345.3639

www.pneumat.com



Pneumat's RailSpreader helps maximize load-out in:

DDGs
Soybean Meal
Canola
Corn Gluten
Pellets
Plastics
Salt

And many more bulk products that are transported by rail.